

EN

DETAILED INSTRUCTIONS FOR USE OF WINE COOLER

CN

酒柜使用说明书

gorenje



WCIU2090A1
WCIU3090A1
WCIU609BA2

We thank you for the confidence you have shown by purchasing our appliance which is designed to simplify your life. To make the use of the product easier, we have supplied detailed instructions for use. The instructions should allow you to learn about your new appliance as quickly as possible.

We wish you find a lot of pleasure in its use.

The appliance is intended solely for household use.

Please visit our website where you can enter your appliance model number, indicated on the rating plate or the warranty sheet, to find detailed description of your appliance, tips on use, troubleshooting, service information, instructions for use etc.



<http://www.gorenje.com>



Important safety warning



General warnings and tips



Protecting the environment



Do not wash in the dishwasher

CONTENTS

4 IMPORTANT NOTES AND PRECAUTIONS 4 BEFORE USING THE APPLIANCE FOR THE FIRST TIME 5 IMPORTANT SAFETY INSTRUCTIONS 8 IMPORTANT INFORMATION ON THE USE OF APPLIANCE 9 ENVIRONMENT PROTECTION 10 ADVICE FOR SAVING POWER WITH REFRIGERATION APPLIANCES	INTRODUCTION
11 INSTALLATION AND CONNECTION 13 APPLIANCE DESCRIPTION 14 OPERATING THE APPLIANCE 19 APPLIANCE INTERIOR EQUIPMENT	APPLIANCE DESCRIPTION
20 CLEANING THE APPLIANCE	CLEANING THE APPLIANCE
21 TROUBLESHOOTING 23 INSTALLING THE WINE COOLER	MISCELLANEOUS

IMPORTANT NOTES AND PRECAUTIONS

BEFORE USING THE APPLIANCE FOR THE FIRST TIME

Before connecting the appliance to the power mains, please read carefully the instructions for use which describe the appliance and its correct and safe use. The instructions apply to several appliance types/models; thus, settings or equipment may be described herein which is not available in your appliance. We recommend saving this instruction manual for future reference and attach it to the appliance if it is sold in the future.

Check for any damage or irregularities on your appliance. If you find your appliance is damaged, notify the retailer from which you have purchased the appliance.

Before connecting the appliance to the power mains, let the appliance rest in a vertical position for a minimum of 24 hours. This will reduce the possibility of operation faults due to the effect of transport on the cooling system.



IMPORTANT SAFETY INSTRUCTIONS



WARNING! Risk of fire/flammable materials.

The appliance must be connected to the power mains and grounded in compliance with the effective standards and regulations.

WARNING! Do not locate multiple portable socket-outlets or portable power supplies at the rear of the appliance.

Before cleaning the appliance, unplug it from the power mains (unplug the power cord from the wall outlet).

WARNING! If the supply cord is damaged, it must be replaced by the manufacturer, its service agent or similarly qualified persons in order to avoid a hazard.

WARNING! When positioning the appliance, ensure the supply cord is not trapped or damaged.

If LED lighting does not work, call a service technician. Do not attempt a repair of the LED lighting yourself, as there is danger of contact with high voltage!



WARNING! Do not use any electric devices inside the appliance, except for those allowed by the manufacturer of this refrigeration appliance.



WARNING! Do not use mechanical devices or other means to accelerate the defrosting process, other than those recommended by the manufacturer.



WARNING! To avoid any hazard resulting from poor stability of the appliance, make sure it is installed as instructed.

Under no circumstances should any external covers be removed for servicing or maintenance except by suitably qualified personnel.

WARNING: Do not damage the refrigerant circuit.

Safety of children and vulnerable persons

The appliance is not intended for use by persons (including children) with reduced physical, sensory or mental capabilities, or lack of experience and knowledge, unless they have been given supervision or instruction concerning use of the appliance by a person responsible for their safety.

Children should be supervised to ensure that they do not play with the appliance.

Cleaning and user maintenance shall not be made by children without supervision.

Cleaning and user maintenance shall not be made by children without supervision.

Remove the packaging intended to protect the appliance or particular parts during transport and keep it outside the reach of children.

It presents danger of injury or suffocation.

For European markets only

This appliance can be used by children aged from 8 years and above and persons with reduced physical, sensory or mental capabilities or lack of experience and knowledge if they have been given supervision or instruction concerning use of the appliance in a safe way and understand the hazards involved.

Children shall not play with the appliance.

Cleaning and user maintenance shall not be made by children without supervision.

Children aged from 3 to 8 years are allowed to load and unload refrigerating appliances.

Warning regarding the refrigerant

The appliance contains a small amount of an environmentally friendly yet flammable gas R600a. Make sure that no parts of the cooling system are damaged. A gas leak is not hazardous to the environment, but it could cause eye injury or fire.

In case of a gas leak, ventilate the room thoroughly, disconnect the appliance from the power mains, and call a service technician.

Please keep the products away from the fire or similar glowing substance before you dispose the appliance.

GWP(Global Warming Potential): R600a=3

IMPORTANT INFORMATION ON THE USE OF APPLIANCE

WARNING! This appliance is intended to be used in household and similar applications such as:

- staff kitchen areas in shops, offices and other working environments;
- farm houses and by clients in hotels, motels and other residential type environments;
- bed and breakfast type environments;
- catering and similar non-retail applications.

i This appliance is for domestic purposes only and is intended to be used exclusively for the storage of sealed bottled wines and beverages.

i WARNING! Keep ventilation openings, in the appliance enclosure or in the built-in structure, clear of obstruction.

The appliance may not be used outdoors and it may not be exposed to rain.

Do not store explosive substances such as aerosol cans with a flammable propellant in this appliance.

If the appliance will be out of use for an extended period of time, switch it off using the relevant button, and unplug it from the power mains. Empty the appliance, defrost it, clean it, and leave the door ajar.

Technical information on the appliance

Rating plate can be found in the back of appliance. It indicates data on voltage, gross and net volume, type and amount of refrigerant, and information on the climate classes.



ENVIRONMENT PROTECTION

Packaging is made of environmentally friendly materials that can be recycled, disposed of, or destroyed without any hazard to the environment.



Removing an obsolete appliance

To protect the environment, take the obsolete appliance to an authorized home appliance collection centre.

Before doing so, do the following:

- disconnect the appliance from the power mains;
- do not allow children to play with the appliance.



WARNING! Do not damage the refrigerant circuit. This will also prevent pollution.



The symbol on the product or its packaging indicates that the product should not be treated as normal household waste. The product should be taken to an authorized collection centre for waste electric and electronic equipment processing. Correct disposal of the product will help prevent any negative effects on the environment and health of people which could occur in case of incorrect product removal. For detailed information on removal and processing of the product, please contact the relevant municipal body in charge of waste management, your waste disposal service, or the store where you bought the product.



ADVICE FOR SAVING POWER WITH REFRIGERATION APPLIANCES


- Install the appliance as specified in the instruction manual.
- Occasionally make sure air circulation underneath the appliance is unobstructed.
- If the gasket is damaged or does not provide a perfect seal for any reason, have it replaced as soon as possible.
- In appliances with a fan, do not block the fan slots or vents.
- Only store wine in sealed containers.
- Do not overload the cabinet.
- Only open the door when necessary. Opening the door for long periods can cause a significant increase in temperature of the compartments of the appliance
- Do not cover the shelves with aluminium foil or anything else that will prevent air from circulating around the cabinet.
- To prevent damage to the door seal, ensure the door is fully open before removing the shelves.
- Do not pull the shelves beyond the anti-stop position (approximately one third out) when fully loaded.
- This appliance is intended to be used exclusively for the storage of wine.
- In the event of a power failure, leave the door closed as much as possible to maintain the internal working temperature. Should the power failure continue for a prolonged period, you should take steps to protect the contents of the wine cooler against a rise in temperature. The wine cooler will remember the selected temperature settings and revert to these settings once the power is restored.

INSTALLATION AND CONNECTION

SELECTING THE ROOM

- Install the appliance in a dry and well ventilated room. The appliance will operate correctly if the environment temperature is in the interval specified in the table. The appliance class is indicated on the rating plate / label with the basic information on the appliance.

Class	Temperature	Relative Humidity
SN (subnormal)	from +10 °C to +32 °C	≤75%
N (normal)	from +16 °C to +32 °C	
ST (subtropical)	from +16 °C to +38 °C	
T (tropical)	from +16 °C to +43 °C	

-  • Do not place an appliance in a room where temperature can drop to below 5 °C as this may cause abnormal appliance operation or failure!
- After the installation, the appliance mains plug should be accessible!
- Do not place the appliance near appliances or devices radiating heat, such as a cooker, a stove, a radiator, water heater etc., and do not expose it to direct sunlight. The appliance should stand at least 3 cm away from an electric or gas cooker or at least 30 cm away from an oil or solid fuel stove. If the distance between such source of heat and the appliance is smaller, use an insulating panel.

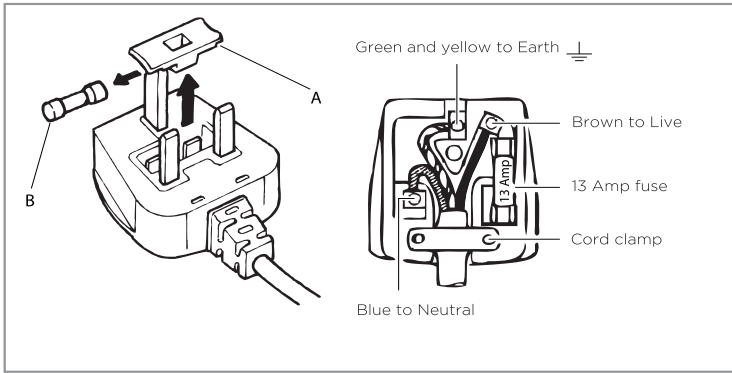
Note: Place the appliance in a sufficiently large room. There should be at least 1 m³ of space per 8 grams of refrigerant. Amount of refrigerant is indicated on the rating plate in the appliance interior.

- There should be an opening or a vent of at least 200 cm² behind the appliance, and the clearance between the appliance and any cabinet above it should be at least 5 cm, to allow cooling of the condenser unit.

CONNECTING THE APPLIANCE



WARNING! This appliance must be earthed.



The mains lead of this appliance has been fitted with a BS 1363A 13 amp fused plug. To change a fuse in this type of plug, follow the steps below:

1. Remove the fuse cover and fuse.
2. Fit replacement 13A fuse, ASTA approved to BS 1362 type, into the fuse cover.
3. Replace fuse cover.

Important: Do not use the appliance without the fuse cover in position.

How to connect an alternative plug

If the fitted plug is not suitable for your socket outlet, then it should be cut off and disposed of safely to avoid possible shock hazard. A suitable alternative plug of at least 13 Amp rating to BS 1363 should be used.

As the colours of the wires in the mains lead of this appliance may not correspond with the coloured markings identifying the terminals in your plug, proceed as follows:

- The wire which is coloured GREEN and YELLOW must be connected to the terminal which is marked with the letter (E) or by the Earth symbol \perp or coloured GREEN and YELLOW.
- The wire which is coloured BLUE must be connected to the terminal which is marked with the letter (N) or coloured BLACK.
- The wire which is coloured BROWN must be connected to the terminal which is marked with the letter (L) or coloured RED.

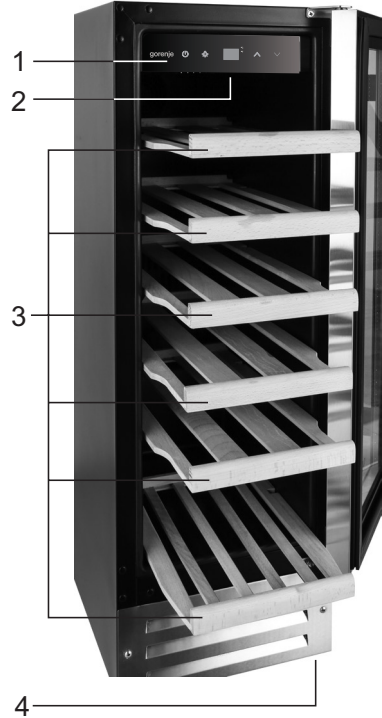
If in doubt regarding the electrical connection of this appliance, consult a qualified electrician. Do not shorten the supply cable; the appliance may require removing for servicing.

N.B. Ensure that the plug socket is situated in an easily accessible place.

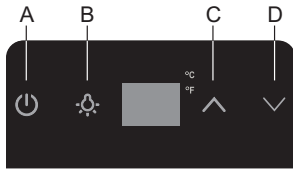
APPLIANCE DESCRIPTION

Appliance interior equipment may change according to the appliance model.

- 1 Control unit
- 2 LED lighting
- 3 Pull-out shelves (max capacity: see page 19)
- 4 Adjustable- height feet



OPERATING THE APPLIANCE



WCIU2090A1

- A** Power button
- B** Light button
- C** »+« button
- D** »-« button



WCIU3090A1

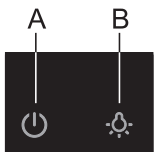
- A** Power button
- B** Light button
- C** »+« button
- D** »-« button



WCIU609BA2

- A** Power button
- B** Light button
- C** »+« button
- D** »-« button
- E** Temperature display button
- F** Zone selection button

TO LOCK/UNLOCK THE CONTROL PANEL - ALL MODELS



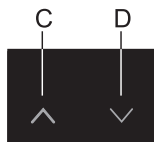
- Press and hold the power button **A** and the light button **B** for approximately 4 seconds.
- The control panel locks automatically after approximately 15 seconds of inactivity.

TO SWITCH THE POWER ON/OFF - ALL MODELS



- Press and hold the power button **A** for approximately 4 seconds to switch the wine cooler on.
- Press and hold the power button **A** for approximately 4 seconds to switch the wine cooler off.

TO CHANGE THE TEMPERATURE - ALL MODELS



- Unlock the control panel, as per page 14, if necessary.
 - Press the **C** or **D** buttons until the required temperature is shown on the display.
 - The display flashes when temperature adjustment is active or a different temperature is being set.
- The appliance will work continuously until it gets to the correct temperature. Continuous noise from the compressor and refrigeration system is normal.
 - If the appliance is switched off, you should allow five minutes before switching it on again to prevent the risk of unnecessary damage to the compressor.
 - The LED display may not show the selected temperature whilst the appliance first gets to the correct temperature. This is normal, and the display will be corrected automatically once the appliance has run for a few hours.

TO CHANGE THE ZONE CONTROL - WCIU609BA2

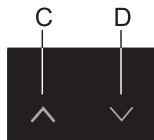


- Unlock the control panel, as per page 14, if necessary.
- Press the button **F**. The 'active' display will flash.
- The temperature range for upper zone is from 5°C to 12°C (left display) and for lower zone from 12°C to 22°C (right display).

Note!

The adjusted temperatures of the upper and lower compartments are linked to each other. Some combinations of settings are not possible.

TO CHANGE THE TEMPERATURE READING - WCIU2090A1, WCIU3090A1



You can change the temperature display reading from Fahrenheit to Celsius, or Celsius to Fahrenheit.

- **The control panel must be locked (see page 14).**
- Press and hold the **C** or **D** buttons for approximately 4 seconds.

TO CHANGE THE TEMPERATURE READING - WCIU609BA2



You can change the temperature display reading from Fahrenheit to Celsius, or Celsius to Fahrenheit.

- **Unlock the control panel, as per page 14, if necessary.**
- Press the **E** button.

OPTIMAL TEMPERATURE SELECTION

Below is a table showing the recommended storage temperatures for different types of wine. These are also the ideal drinking temperatures for most types.

Wine Type	Recommended Temp.
Red Wine	15 - 18°C (59°F-64°F)
Dry / White Wine	9 - 14°C (48°F-57°F)
Rosé Wine	10 - 11°C (50°F-52°F)
Sparkling Wine	5 - 8°C (41°F-46°F)

To use the internal light



- Unlock the control panel, as per page 14, if necessary.
- Press the light button **B** to switch the light on or off.

TEMPERATURE DISPLAY

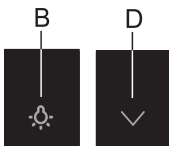
This appliance has two options for the temperature display. One option shows the set or target temperature in the wine cooler. The other option shows the real temperature within the wine cooler, and can be useful for actively monitoring the wine cooler's behaviour. Descriptions and further information on these display options are shown below.

Set temperature display

- The temperature display will show the set temperature (the temperature that the cooler is working to achieve).
- **A decimal point '.' next to the temperature signifies that the wine cooler is working to achieve the set temperature.** When the decimal point disappears, or if it is not present, the cooler's sensor has detected that the set temperature has been reached. The decimal point may reappear periodically when the cooling system kicks in to maintain the temperature.
- The display flashes when temperature adjustment is active or a different temperature is being set.

Real temperature display

- The temperature display will show the real or actual temperature within the wine cooler.
- **A decimal point '.' next to the temperature signifies that the wine cooler is working to achieve the set temperature.** When the decimal point disappears, or if it is not present, the cooler's sensor has detected that the set temperature has been reached. The decimal point may reappear periodically when the cooling system kicks in to maintain the temperature.
- The display flashes when temperature adjustment is active or a different temperature is being set.



To change the temperature display

- **The control panel must be locked (see page 14).**
 - Touch and hold the light button **B** and the button **D** for approximately 2 seconds.
 - The display will show '02' or '01', depending upon which display setting has been active.
- Use the button **D** to switch between '02' and '01'. '02' is the Set temperature display mode and '01' is the Real temperature display mode. Once the mode you desire is shown on the display, touch nothing for approximately 5 seconds. The appliance should beep and switch to the new display mode.

QUIET MODE

This appliance has a quiet mode. Whilst active, and once the set temperature is reached, the appliance slows down the internal fan(s) to reduce the running noise.

To deactivate quiet mode



The control panel must be locked (see page 14). Press and hold the light button **B** for approximately 3 seconds. Depending on whether you have the display set to Fahrenheit or Celsius, the °C or °F symbol will stay solidly lit to indicate that the mode is inactive.

To activate quiet mode



The control panel must be locked (see page 14). Press and hold the light button **B** for approximately 10 seconds. Depending on whether you have the display set to Fahrenheit or Celsius, the °C or °F symbol will start blinking to indicate that mode is active.

TEMPERATURE ALARM

If the temperature rises or falls outside the set temperature range, an alarm will sound and the display may show a fault.

This may be because:

- The wine cooler has not yet reached the set temperature (when first switched on) or is taking a long time to reach it.
- There has been a power failure.
- The wine cooler has been overloaded or damaged.
- The door is not closed properly.
- The temperature sensor has failed (see page 22).

Please note: If the wine cooler has overheated and the alarm is sounding because of this, the system will shut down automatically after 6 hours of the alarm tripping. The warnings will continue however.

CLEANING THE APPLIANCE



Before cleaning, unplug the appliance from the power mains – switch off the appliance (see chapter Switching the Appliance On/Off) and unplug the power cord from the wall outlet.

- Use a soft cloth to clean all surfaces. Cleaners that contain abrasive substances, acids, or solvents are not suitable for cleaning as they may damage the surface.

Clean the appliance **exterior** with water or a mild solution of suds.

Wipe the **inside surfaces** with a sponge and baking soda solution. The solution should be about 2 tablespoons of baking soda to 1 quart (approx. 1 litre) of warm water. Wash the shelves with a mild detergent solution. Allow wooden shelves to dry before placing back into the wine cooler.

Do not use steel wool or steel brush on the stainless steel. These will scratch the stainless steel with steel particles and rusting may occur.



Appliance **interior** can be cleaned with lukewarm water to which you can add some **vinegar**.



- Do not wash the parts of appliance interior equipment in a dishwasher as they may be damaged.

TROUBLESHOOTING

Problem:	Cause or remedy
If the appliance is not working, check	<ul style="list-style-type: none"> • There is power to the appliance • The house fuses or circuit breakers are intact and the fuse in the plug has not blown. • The plug socket is functioning correctly. To check this, plug another electrical appliance in to see if the socket is working. • The ambient temperature is between 16°C to 38°C.
The appliance is working, but not very well, check	<ul style="list-style-type: none"> • The appliance is not overloaded. • The thermostat is set to an appropriate temperature. • The door is closing properly. • The door gasket is sealing properly • There is enough ventilation at the side and rear walls. • The ambient temperature is between 16°C to 38°C.
The appliance is noisy, check	<ul style="list-style-type: none"> • The appliance is level and stable. • The cooling gas will make some noise, even when the compressor is not running. • During operation, it is normal for the fan to run, even when the compressor is not running.
Condensate (dew) on the shelf	<ul style="list-style-type: none"> • This is transient phenomenon which cannot be entirely avoided in periods of high environment temperature and humidity. It subsides when temperature and humidity are normalized.
The appliance is turning cooling on and off frequently	<ul style="list-style-type: none"> • The internal temperature is fluctuating, causing the system to cool..
The light does not work, check	<ul style="list-style-type: none"> • There is power to the appliance. • The house fuses or circuit breakers are intact and the fuse in the plug has not blown. • The light button is not set to off (unlock the panel first as per page 14). <p>Please note: The LED lighting cannot be replaced without a service call. If the light fails, contact Gorenje Customer Care.</p>

Problem:	Cause or remedy
The door will not close properly, check	<ul style="list-style-type: none"> • The appliance is level and stable. • If the door has been removed, it may not have been correctly refitted. • Whether the door seal is dirty. • The shelves are positioned correctly.
The display shows “LL” or “HH”	<ul style="list-style-type: none"> • The temperature sensor has failed. Please contact Gorenje Customer Care.

If the above tips do not resolve your problem, call the nearest authorized service centre and state the type, model, and serial number indicated on the appliance rating plate or label located in the appliance interior.

INSTALLING THE WINE COOLER

This appliance is intended to be installed in a space between two units. If it is to be freestanding in an open space, ensure that it can not cause harm nor damage.

The minimum space required is:

WCIU2090A1 – 150mm W x 570mm D x 830/890mm H

WCIU3090A1 – 300mm W x 570mm D x 830/890mm H

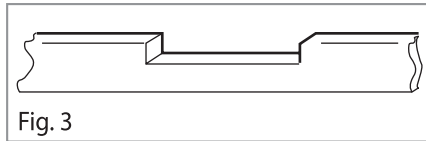
WCIU609BA2 – 600mm W x 570mm D x 830/890mm H

Please note: When the product is installed, there should be a small ventilation gap between the top of the unit and the underside of the worktop (6 mm or 1/4”).

These products should not be installed:

1. In direct sunlight.
2. Adjacent to a heat source (oven or radiator).
3. Below a hob unit.
4. In a damp or wet environment

Where a continuous plinth is to be used, it is necessary to cut a section out so that the ventilation slots at the front of the appliance are not obstructed in any way as per Fig 3.



This appliance is designed to fit under worktops between 830 – 890mm in height, using the adjustable plinth plate to ensure that the feet are concealed from view.

IMPORTANT: Failure to follow the instructions regarding installation and ventilation may invalidate the warranty supplied with your appliance.

To install the handle

IMPORTANT: DO NOT REMOVE THE SCREWS FROM THEIR POSITION IN THE DOOR (Fig. 4) PRIOR TO FITTING THE HANDLE AS FIXINGS MAY DROP INTO THE DOOR. The door seal holds the screws in place during transit. Do not overtighten the screws, and do not use power tools to install the handle.



Screw hole + screw

1. Peel back the door seal from the glass side to expose the screw holes, as per Fig. 4. Place a screwdriver against the screw and hold it in position.
2. Carefully locate the handle over the fixing screw.
3. Using a screwdriver, tighten the securing screw to fix the handle. Repeat with the remaining handle fixing screw.

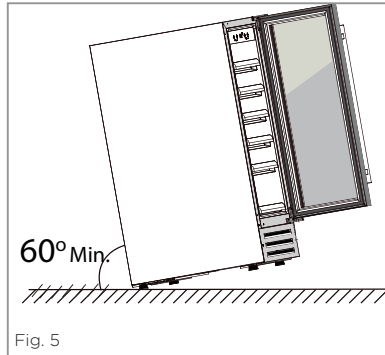
IMPORTANT: Take care, when installing the handle, not to damage the door. Any damage caused may not be covered by the warranty supplied with your appliance.

Reversing the door

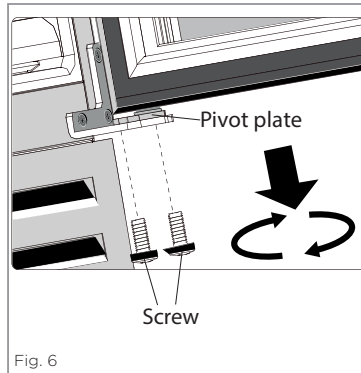
The following instructions are based on a wine cooler with the door hinged on the right hand side. We strongly recommend seeking the help of at least one other individual during this process.

Before starting the reversal process, ensure that you have the left hand upper and lower hinges. These are supplied with your product.

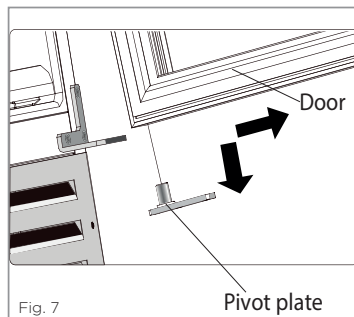
Do not tilt the appliance backwards further than an angle of 60° (Fig.5).



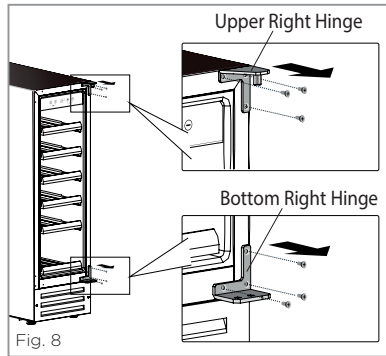
1. With the help of another, open the door and support it. Loosen and remove the two screws from the pivot plate of the lower right hinge, as per Fig. 6.



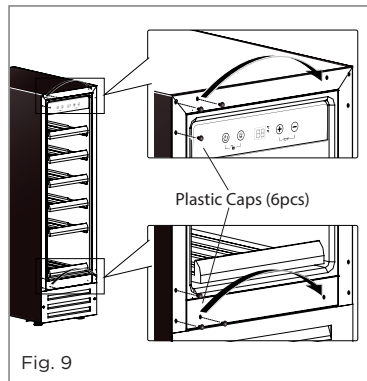
2. Move the door away from the wine cooler slightly and remove the pivot plate from the bottom of the door as per Fig. 7. Lower the door from the upper hinge and place it somewhere safe where it will neither cause nor receive damage.



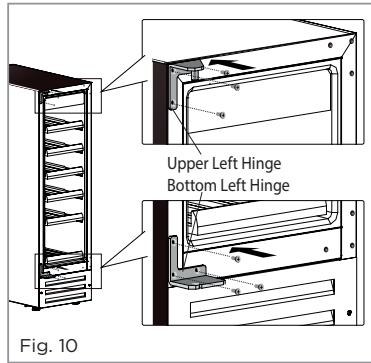
3. Remove the three screws from both the upper hinge and the lower hinge, taking care not to let them fall, as per Fig. 8. Remove the hinges and place them somewhere safe in case they are needed in the future.



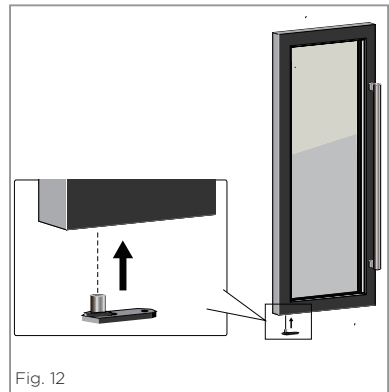
4. Remove the plastic caps from the left hand hinge positions and fit them into the now empty right hand hinge holes, as per Fig. 9.



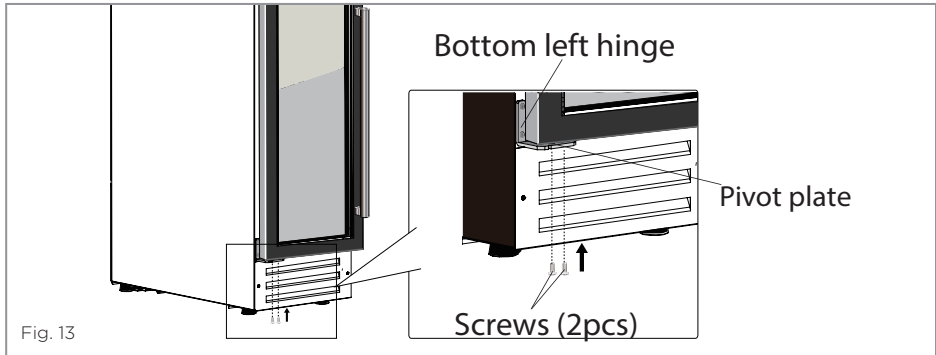
5. Fit the supplied upper left hinge and lower left hinge to the appliance as per Fig. 10. These are mirror opposites of their right-handed counterparts.



6. Turn the door around by 180° (upside down) so that the handle is now on the right (Fig. 11). Insert the pivot plate into the now-bottom of the door as per Fig. 12.



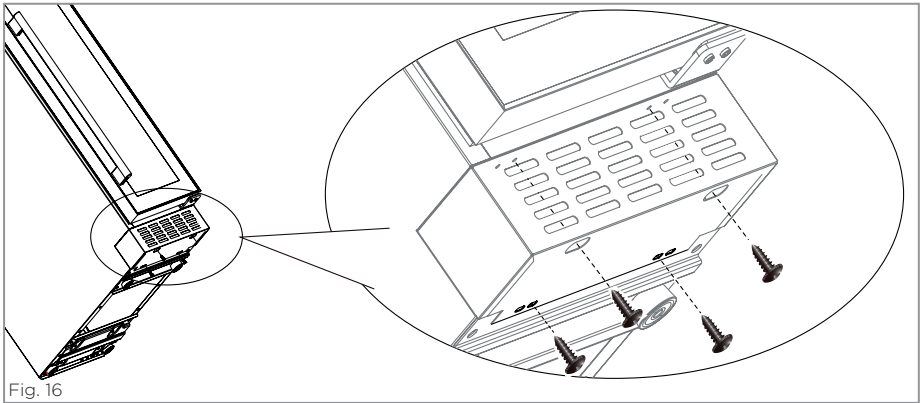
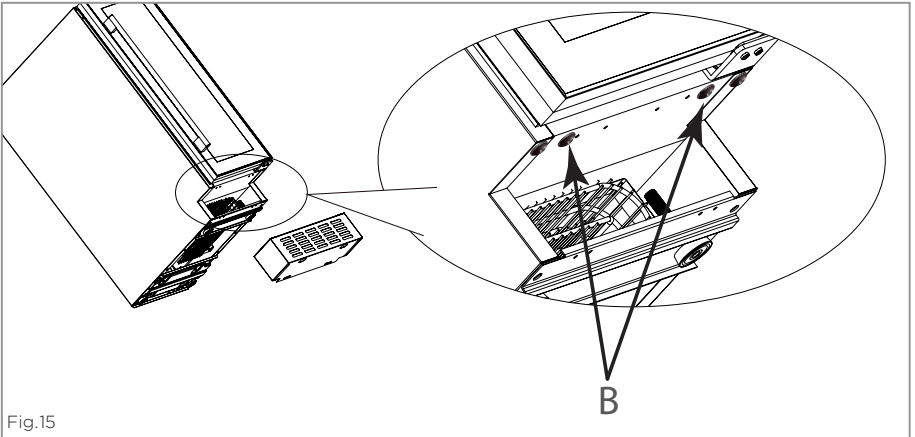
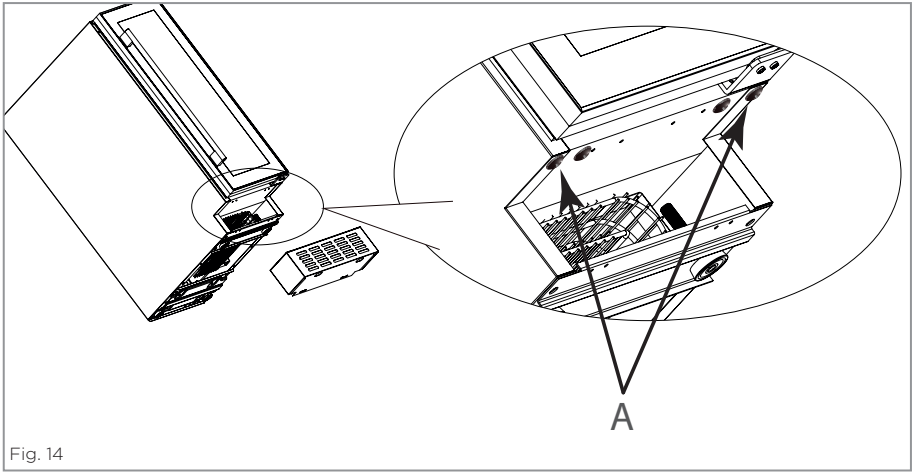
7. Guide the door onto the upper hinge pivot and manoeuvre the lower part of the door and pivot plate onto the lower hinge. Align the pivot plate holes with the hinge plate holes.
8. Reinsert the two screws that you removed in step 1 and tighten them. Check that the door sits level with the appliance. If not, the pivot plate offers some adjustment - loosen the screws you have just tightened and adjust the door as necessary.



Fitting the plinth

The plinth/grille for this appliance comes packaged inside and can be fitted if desired. Follow these steps to do so:

1. Locate the plinth (packaged inside the appliance)
2. Remove the four screws from (two on each side of) the plinth section, but take care to support both sections to prevent the adjustable section from falling away. Remove the adjustable front section and place this somewhere safe.
3. With the help of another individual, make sure the wine cooler is secure and tilt it backwards to gain full access to the area below the door. Make sure that the door is kept closed at all times during this process in order to avoid damage to the door and appliance.
4. If present, remove the two screws shown by arrows and marked as 'A' in Fig. 14. Then, locate the four black fitting screws. These are packaged inside the appliance with the door reversing hinge.
5. If present, remove the screws shown by arrows and marked as 'B' in Fig. 15. These are not needed.
6. Offer up the plinth, ensuring it is the same way up as per Fig. 16. Then, using a (magnetic tipped) screwdriver, insert two of the black fitting screws through the oval access holes (shown in Fig. 16) and tighten them.
7. Install a (black fitting) screw into each of the two lower holes (shown in Fig. 16). This will help to secure the plinth to the underside of the wine cooler.



- Adjust the wine cooler feet so that you achieve the desired height for the cooler. If needed, re-attach the extendable plinth section with the four screws that were removed in step 2. Stand the wine cooler up steadily - if the extendable section will foul the floor or similar, remove it. Allow the wine cooler to stand for 24 hours before plugging it in. This will help to prevent damage to the system.

Adjusting the plinth

The plinth/grille for this appliance comes with an adjustable section. The process for adjusting the plinth trim is simple and is achieved by following the steps below. Perform these steps once the appliance is standing on all four feet and do not put weight on the plinth.

- Loosen the two screws on each side of the plinth trim (four altogether - Fig. 17).
- Carefully guide the front trim down until the desired height is achieved. Tighten the screws.

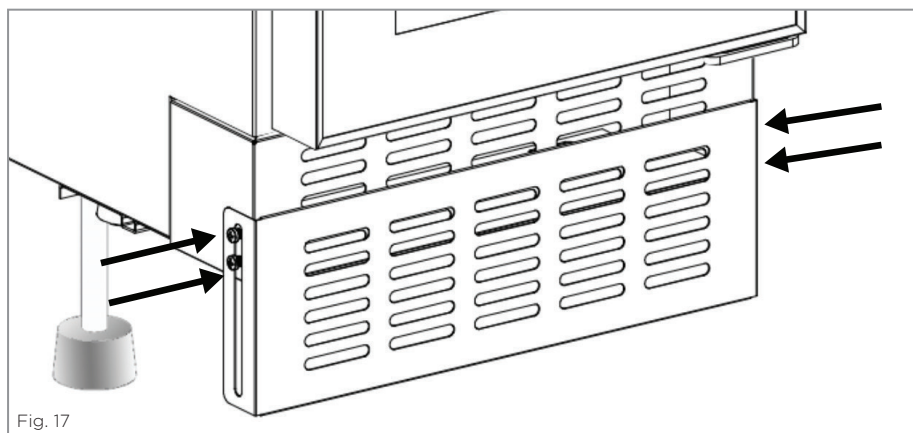


Fig. 17

Gorenje, d.o.o.
Partizanska 12
SI - 3320 Velenje, Slovenija
info@gorenje.com
www.gorenje.com

我们感谢您购买我们的产品。为了便于使用，我们提供了详细的使用说明。这些说明能使您能够尽快了解您的新设备。

我们希望您能从中得到很多乐趣。

此电器仅供家庭使用。

请访问我们的网站，在那里您可以输入您的设备型号，设备型号会显示在铭牌或保修单上，以查找您的设备的详细说明，使用提示，故障排除，服务信息，使用说明等。



<http://www.gorenje.com>



重要安全警示



一般警告和提示



保护环境



请勿在洗碗机里清洗

内容

33 重要提示及注意事项 33 在第一次使用设备之前 34 重要的安全指引 36 使用器具的重要信息 37 环境保护 38 制冷设备节能建议	介绍
39 安装与连接 41 设备说明 42 操作设备 46 电器内部设备	产品描述
47 清洁用具	清洁用具
48 故障排除 49 安装酒柜	杂项

重要提示及注意事项

在第一次使用设备之前

在将设备连接到电源之前，请仔细阅读描述设备及其正确和安全使用的使用说明。本说明适用于几种设备类型/型号；因此，此处可能描述的设置或设备在您的设备中不可用。我们建议保存本使用手册以备将来参考，如果将来出售，请将其附在设备上。

检查您的设备是否有任何损坏或异常。如果您发现您的设备损坏，请通知您购买设备的零售商。

在将设备连接到电源之前，让设备在垂直位置放置至少24小时。这将减少由于运输对冷却系统的影响而导致操作故障的可能性。



重要的安全指引



警告！火灾/易燃材料风险。

设备必须连接到电源并按照有效的标准和规定接地。

警告！请勿在设备后部放置多位便携式插座或便携式电源。
清洁设备前，请将其从电源线上拔下（从墙上的电源插座上拔下电源线）。

警告！如果电源线损坏，必须由制造商、其服务代理或类似的合格人员更换，以避免危险。

警告！放置设备时，请确保电源线没有被夹住或损坏。

如果LED灯不亮，请致电维修技师。不要试图自己修理LED灯，因为有接触高压的危险！



警告！请勿在设备内部使用任何电气设备，除非该制冷设备的制造商允许。



警告！除制造商推荐的设备外，不要使用机械设备或其他方式加速除霜过程。



警告！为避免设备稳定性差造成的任何危险，请确保按照说明安装。

在任何情况下，均不得拆除任何外部盖进行维修或维护，除非由适当的合格人员进行。

警告：不要损坏制冷剂回路。

儿童和弱势群体的安全

除非由负责其安全的人监督或指导身体、感官或精神能力下降或缺乏经验和知识的人（包括儿童）使用本器具，否则本器具不供其使用。

应监督儿童，确保他们不玩电器。

未经监督，儿童不得进行清洁和使用维护。

未经监督，儿童不得进行清洁和使用维护。

在运输过程中，移除用于保护设备或特定部件的包装，并将其放在儿童够不着的地方。

有受伤或窒息的危险。

如果对8岁及以上儿童和身体、感官或精神能力下降或缺乏经验和知识的人进行了安全使用设备的监督或指导，并了解所涉及的危险，则他们可以使用本设备。

儿童不得玩该器具。

未经监督，儿童不得进行清洁和使用维护。

有关制冷剂的警告

该设备含有少量环保但易燃的R600A气体。请确保冷却系统的任何部件都没有损坏。气体泄漏对环境无害，但可能导致眼睛受伤或导致起火。

如果发生气体泄漏，请彻底通风，断开设备与电源的连接，并致电维修技师。

在处理电器之前，请使产品远离火或类似的发光物质。全球变暖潜能值：R600A=3.

使用器具的重要信息

警告！本设备拟用于家用和类似用途，例如：

- 商店、办公室和其他工作环境中的员工厨房区域；
- 酒店、汽车旅馆和其他居住环境中的农舍和客户；
- 床和早餐型环境；
- 餐饮和类似的非零售应用。

 本设备仅供家用，仅用于储存密封瓶装葡萄酒和饮料。

 警告！保持设备外壳或内置结构中的通风孔没有障碍物。

设备不得在室外使用，也不得在雨中使用。

请勿将爆炸性物质（如装有易燃推进剂的气雾罐）储存在本设备中。

如果设备将长时间停用，请使用相关按钮将其关闭，并将其从电源上拔下。把电器倒空，解冻，清洗，然后把门半开着。

设备技术信息

铭牌可在电器背面找到。它显示有关电压、总容积和净容积、制冷剂类型和数量以及气候等级信息的数据。



环境保护

包装材料为环保材料，可回收、处理或销毁，不会对环境造成任何危害。



报废过时的设备

为了保护环境，请将废弃的家电送到授权的家电收集中心。执行此操作之前，请执行以下操作：

- 断开设备与电源的连接；
- 不要让孩子们玩这个设备。



警告！不要损坏制冷剂回路。这也可以防止污染。



产品或其包装上的符号表明，产品不应作为正常的生活垃圾处理。产品应送至授权的废电器和电子设备处理收集中心。正确处理产品有助于防止不正确的产品移除可能对环境和人的健康产生的任何负面影响。如需了解有关产品移除和处理的详细信息，请联系负责废物管理的相关市政机构、您的废物处理服务机构或您购买产品的商店。



制冷设备节能建议


- 按照说明书的规定安装设备。
- 偶尔检查确保设备下方的空气流通畅通无阻。
- 如果垫圈损坏或因任何原因无法提供完美的密封，请尽快更换。
- 在有风扇的电器中，不要阻塞风扇槽或通风口。
- 只能将葡萄酒储存在密封容器中。
- 不要使机柜过载。
- 仅在必要时打开门。长时间打开门会导致设备隔间的温度显著升高。
- 不要用铝箔或其他任何能阻止空气在机柜周围循环的东西覆盖货架。
- 为防止损坏门密封，在拆卸架子之前，确保门完全打开。
- 满载时，不要将货架拉到防停位置以外（大约三分之一伸出）。
- 本设备仅用于储存葡萄酒。
- 如果停电，尽可能保持车门关闭，以保持内部工作温度。如果电源故障持续很长一段时间，您应该采取措施保护酒柜的内容物不受温度上升的影响。酒柜将记住所选的温度设置，并在电源恢复后恢复这些设置。

安装与连接

选择房间

- 将设备安装在干燥通风的房间内。如果环境温度在表中指定的时间间隔内，设备将正常工作。设备类别显示在铭牌/标签上，上面有设备的基本信息。

气候类型	环境温度	相对湿度
SN (亚温带)	+10 °C - +32 °C	≤75%
N (温带)	+16 °C - +32 °C	
ST (亚热带)	+16 °C - +38 °C	
T (热带)	+16 °C - +43 °C	

-  请勿将设备放置在温度可能降至5°C以下的房间内，否则可能导致设备异常运行或故障！
- 安装后，应能接触到设备电源插头！
- 不要将本器具放置在炊具、炉子、散热器、热水器等散热器具或装置附近，也不要将其暴露在阳光直射下。电器应与电饭锅或燃气灶至少保持3厘米的距离，或与油炉或固体燃料炉至少保持30厘米的距离。如果这种热源和器具之间的距离较小，则使用绝缘板。

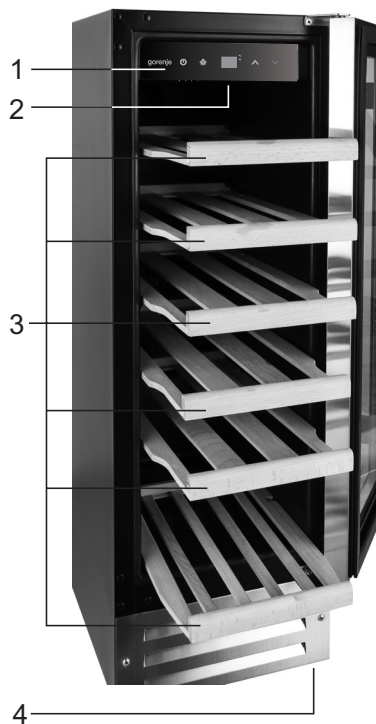
注意：把电器放在足够大的房间里。每8克制冷剂至少应有1立方米的空空间。制冷剂的量显示在设备内部的铭牌上。

- 电器后面应至少有200平方厘米的开口或通风孔，电器与其上方任何机柜之间的间隙至少应为5厘米，以便冷却冷凝器装置。

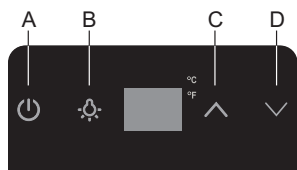
设备说明

电器内部设备可根据电器型号进行更换。

- 1 控制单元
- 2 LED照明
- 3 拉出式层架 (最大容量：见第46页)
- 4 可调高度箱脚

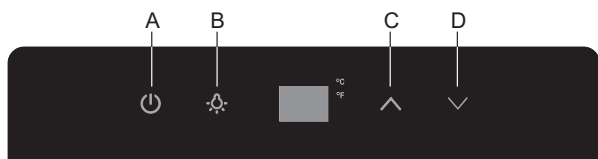


操作设备



WCIU2090A1

- A 电源开关
- B 灯开关
- C 升温开关
- D 降温开关



WCIU3090A1

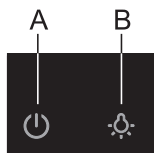
- A 电源开关
- B 灯开关
- C 升温开关
- D 降温开关



WCIU609BA2

- A 电源开关
- B 灯开关
- C 升温开关
- D 降温开关
- E 摄氏华氏切换开关
- F 温区选择

锁定/解锁控制面板-所有型号



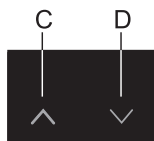
- 按住电源按钮A和灯按钮B约4秒钟。
- 大约15秒不活动后，控制面板自动锁定。

打开/关闭电源-所有型号



- 按住电源按钮A约4秒钟，打开酒柜。
- 按住电源按钮A约4秒钟，关闭酒柜。

改变温度-所有型号



- 如有必要，根据第14页打开控制面板。
- 按下C或D按钮，直到显示屏上显示所需温度。
- 当温度调节激活或设置不同温度时，显示屏闪烁。

- 设备将持续工作，直到达到正确的温度。压缩机和制冷系统的持续噪声正常。
- 如果设备已关闭，应在再次打开前留出5分钟，以防止对压缩机造成不必要的损坏。
- 当设备首先达到正确温度时，LED显示屏可能不会显示所选温度。这是正常的，设备运行几个小时后，将自动更正显示。

更改区域控制 - WCIU609BA2

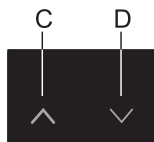


- 如有必要，根据第14页打开控制面板。
- 按下按钮F。“激活”显示将闪烁。
- 上部区域的温度范围为5°C至12°C（左显示），下部区域的温度范围为12°C至22°C（右显示）。

注意！

上下舱室的调节温度相互连接。某些组合设置不可用。

改变温度读数 - WCIU2090A1, WCIU3090A1



您可以将温度显示读数从华氏度更改为摄氏度，或从摄氏度更改为华氏度。

- 控制面板必须锁定（见第14页）。
- 按住C或D按钮约4秒钟。

改变温度读数 - WCIU609BA2



您可以将温度显示读数从华氏度更改为摄氏度，或从摄氏度更改为华氏度。

- 如有必要，根据第14页打开控制面板。
- 按E按钮。

最佳温度选择

下表列出了不同类型葡萄酒的建议储存温度。对于大多数类型的人来说，这也是理想的饮用温度。

酒的种类	建议温度
红葡萄酒	15 - 18°C (59°F-64°F)
干白葡萄酒	9 - 14°C (48°F-57°F)
桃红葡萄酒	10 - 11°C (50°F-52°F)
起泡酒	5 - 8°C (41°F-46°F)

使用内部光线



- 如有必要，根据第14页打开控制面板。
- 按下灯按钮B可打开或关闭灯。

温度显示

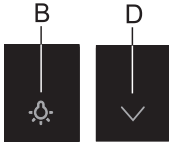
这个设备有两个温度显示选项。一个选项显示酒柜中的设定或目标温度。另一个选项显示酒柜内的真实温度，可用于主动监测酒柜的活动情况。有关这些显示选项的说明和进一步信息如下所示。

显示设定温度

- 温度显示将显示设定温度（酒柜正在工作以达到的温度）。
- 温度旁边的小数点 “.” 表示酒柜正在工作以达到设定温度。当小数点消失或不存在时，酒柜的传感器检测到已达到设定温度。当冷却系统启动以保持温度时，小数点可能会定期重新出现。
- 当温度调节激活或设置不同温度时，显示屏闪烁。

显示实际温度

- 温度显示器将显示酒柜内的真实或实际温度。
- 温度旁边的小数点 “.” 表示酒柜正在工作以达到设定温度。当小数点消失或不存在时，酒柜的传感器检测到已达到设定温度。当冷却系统启动以保持温度时，小数点可能会定期重新出现。
- 当温度调节激活或设置不同温度时，显示屏闪烁。



更改温度显示

- 更改温度显示
 - 控制面板必须锁定（见第14页）。
 - 按住灯按钮B和D约2秒钟。
 - 显示器将显示“02”或“01”，具体取决于激活的显示设置。
- 使用按钮D在“02”和“01”之间切换。02'为设定温度显示模式，01'为实际温度显示模式。一旦您所需的模式显示在显示屏上，无需触摸大约5秒钟。设备应发出哔哔声并切换到新的显示模式。

静音模式

这个设备有静音模式。当处于活动状态时，一旦达到设定温度，设备将减慢内部风扇的速度，以降低运行噪音。

关闭静音模式



必须锁定控制面板（见第14页）。按住灯按钮B约3秒钟。根据您是否将显示设置为华氏度或摄氏度，°C或°F符号将长亮，以指示该模式处于非活动状态。

启动静音模式



必须锁定控制面板（见第14页）。按住灯按钮B约10秒钟。取决于您是否将显示设置为华氏度或摄氏度，°C或°F符号将开始闪烁，以指示模式处于活动状态。

温度报警器

如果温度上升或下降超出设定温度范围，将发出警报，显示屏可能显示故障。这可能是因为：

- 葡萄酒冷却器尚未达到设定温度（首次打开时），或需要很长时间才能达到。
- 停电。
- 酒柜超载或损坏。
- 门未正确关闭。
- 温度传感器出现故障（见第22页）。

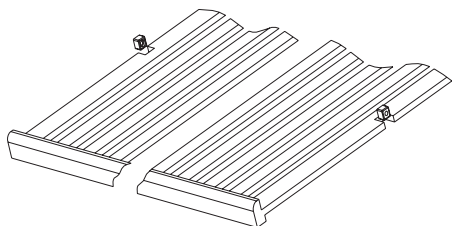
请注意：如果酒柜过热，并因此发出警报，系统将在警报跳闸6小时后自动关闭。但警告将继续。

电器内部设备



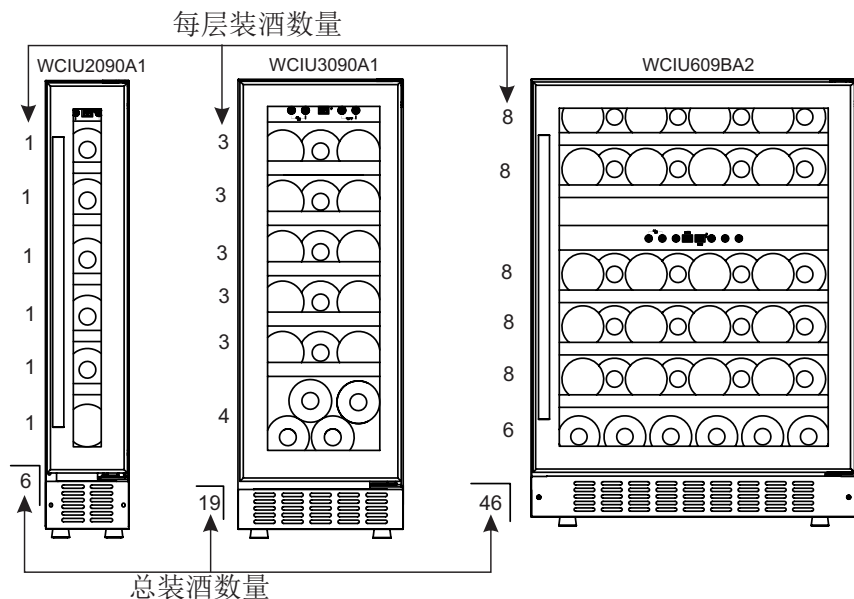
层架

(只适用于型号 WCIU3090A1, WCIU609BA2)



- 要移除架子，首先移除架子上的所有瓶子，然后向前拉动架子，直到架子两边的凹槽与橱柜两边的塑料钉齐平（如图所示）。然后抬起架子并向前拉。
- 要更换搁板，请按相反顺序执行上述步骤。

装酒示意图



清洁用具



清洁前，从电源上拔下设备-关闭设备（请参阅“打开/关闭设备”一章）并从墙上的插座上拔下电源线。

- 用软布清洁所有表面。含有研磨性物质、酸或溶剂的清洁剂不适合清洁，因为它们可能会损坏表面。

用水或温和的肥皂水清洗设备外部。

用海绵和小苏打溶液擦拭内表面。溶液应该是大约2汤匙的小苏打和1夸脱（约1升）的温水。用温和的洗涤剂溶液清洗架子。在放回酒柜之前，让木架子晾干。不要在不锈钢上使用钢丝绒或钢刷。这些会用钢颗粒划伤不锈钢，并可能发生生锈。



电器内部可以用温水清洗，可以加些醋。



不要在洗碗机中清洗电器内部设备的零件，因为它们可能会损坏。

故障排除

问题:	原因或处理措施
如果设备不工作，请检查	<ul style="list-style-type: none">• 设备是否有电源• 房屋保险丝或断路器完好无损，插头中的保险丝未熔断。• 插头插座工作正常。若要检查此情况，请插入另一个电器以查看插座是否正常工作。• 环境温度在16°C到38°C之间。
这个装置在工作，但不太好，检查一下	<ul style="list-style-type: none">• 设备未过载。• 恒温器设置到适当的温度。• 门关好了。• 门垫圈密封良好• 侧壁和后壁有足够的通风。• 环境温度在16°C到38°C之间。
电器有噪音，检查一下	<ul style="list-style-type: none">• 设备水平稳定。• 即使压缩机不运行，冷却气体也会发出一些噪音。• 在运行过程中，风扇运转正常，即使压缩机不运转。
架子上的冷凝水（露水）	<ul style="list-style-type: none">• 这是一种在高温高湿环境中无法完全避免的瞬态现象。当温度和湿度正常化时，它就会消退。
设备经常打开和关闭冷却	<ul style="list-style-type: none">• 内部温度波动，导致系统启动冷却。
灯不亮，检查一下	<ul style="list-style-type: none">• 设备有电源。• 房屋保险丝或断路器完好无损，插头中的保险丝未熔断。 灯按钮未设置为关闭（根据第14页先解锁面板）。请注意：如果没有服务电话，则无法更换LED灯。如果指示灯出现故障，请联系Gorenje客户服务中心。
门关不好，检查一下	<ul style="list-style-type: none">• 设备水平稳定。• 如果已拆下车门，则可能未正确重新安装。• 门封条是否脏。• 架子摆放正确。
显示屏显示“LL”或“HH”	<ul style="list-style-type: none">• 温度传感器出现故障。请联系Gorenje客户服务部。

如果上述提示不能解决您的问题，请致电最近的授权服务中心，并说明设备内部设备铭牌或标签上显示的类型、型号和序列号。

安装酒柜

该设备应安装在两个物体之间的空间中。如果要在开放空间中独立放置，请确保其不会造成伤害或损坏。

所需的最小空间是：

WCIU2090A1 – 150mm 宽度 x 570mm 深度 x 830 / 890mm 高度

WCIU3090A1 – 300mm 宽度 x 570mm 深度 x 830 / 890mm 高度

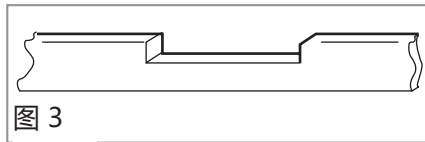
WCIU609BA2 – 600mm 宽度 x 570mm 深度 x 830 / 890mm 高度

请注意：安装产品时，设备顶部和工作台底部之间应有一个小的通风间隙（6 毫米或 $\frac{1}{4}$ "）。

这些产品不应安装：

1. 在阳光直射下。
2. 与热源（烤箱或散热器）相邻。
3. 炉架下方。
4. 在潮湿的环境中

在使用连续底座的情况下，必须切开一部分，以确保按照图 3 不会阻塞产品正面的通风槽。



该产品设计为可安装在高度为 830 – 890mm 之间的工作台下面，并使用可调节的百页挡板来确保脚部看不见。

重要信息：不遵循有关安装和通风的说明，可能会使产品随附的保修无效。

安装把手

重要提示：安装把手之前，请勿从其原来的位置上卸下螺钉，门把手垫片（图 4）可能会掉进去门中。在运输过程中，门封将螺丝固定在适当的位置。请勿过度拧紧螺钉，也不要使用电动工具安装把手。



螺丝孔+螺丝

1. 如图 4 所示，从玻璃侧拉下门密封条，露出螺丝孔。将螺丝刀放在螺丝上，并将其固定到位。
2. 小心地将手柄放在固定螺钉上。
3. 用螺丝刀拧紧固定螺钉以固定把手。重复使用剩余的手柄固定螺丝。

重要说明：安装把手时，请注意不要损坏门。设备所提供的保修可能不涵盖所造成的损坏。

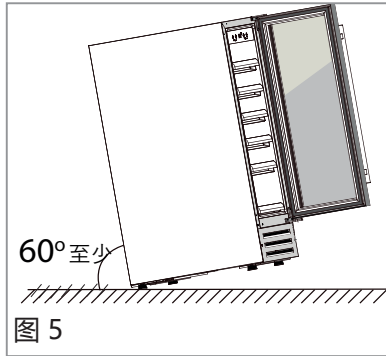
左右换门时

以下说明基于带门铰的酒柜右边。

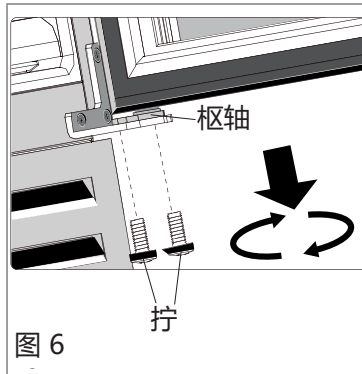
我们强烈建议在此过程中寻求至少另一个人的帮助。

在开始换门之前，请确保您具有左侧的上下门铰。这些是随您的产品一起提供。

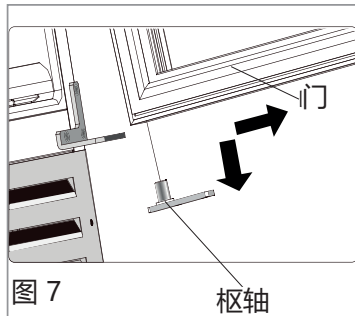
请勿将设备向后倾斜超过 60° 的角度 (图 5) 。



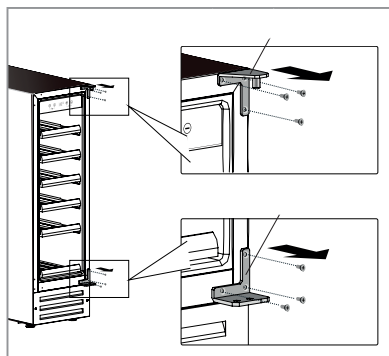
1. 在另一个人的帮助下，打开门并提供支撑。如图 6 所示，从右下门铰的枢轴板上松开并卸下两颗螺钉。



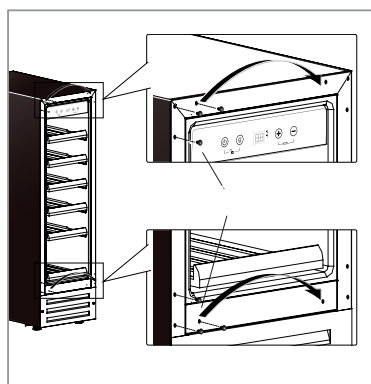
2. 如图 7 所示，将门从酒柜稍微移开，然后从门的底部卸下枢轴板。从上门铰放下门体，并将其放在安全的地方，既不会造成损坏，也不会被损坏。



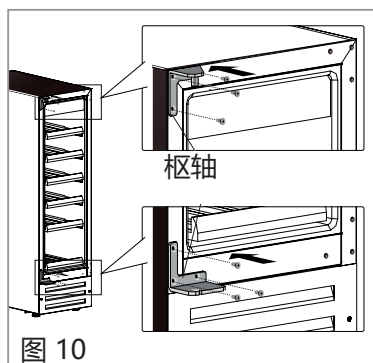
3. 如图 8 所示，从上门铰和下门铰上卸下三颗螺钉，注意不要让它们掉落。卸下门铰，并将它们放在安全的地方，以防将来需要它们。



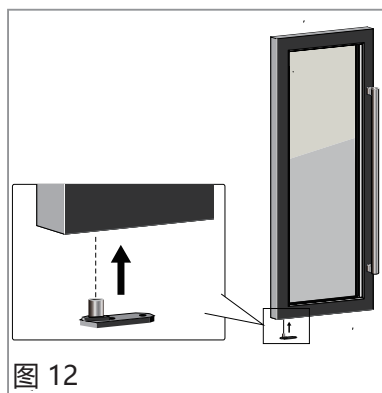
4. 如图 9 所示，从左侧门铰位置取下塑料盖，然后将它们安装到现在空的右侧门铰孔中。



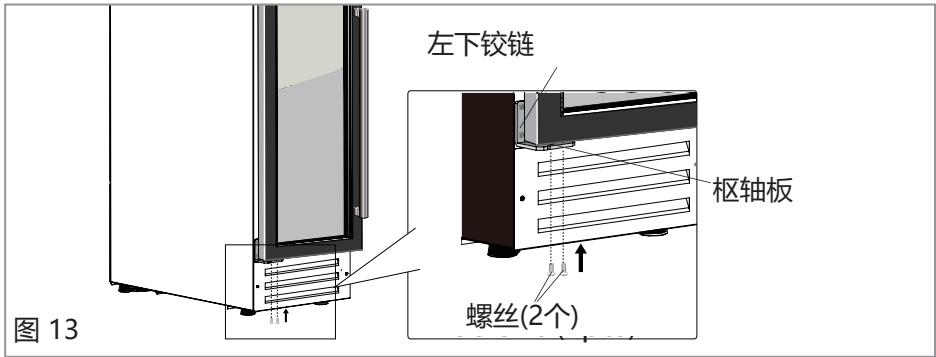
5. 按照图 10 将随附的左上门铰和左下门铰安装到产品上。这是它们右手对应的反面。



6. 将门旋转 180° (上下颠倒) , 以使把手现在位于右侧 (图 11) 。如图 12 所示 , 将枢轴板插入门的底部。



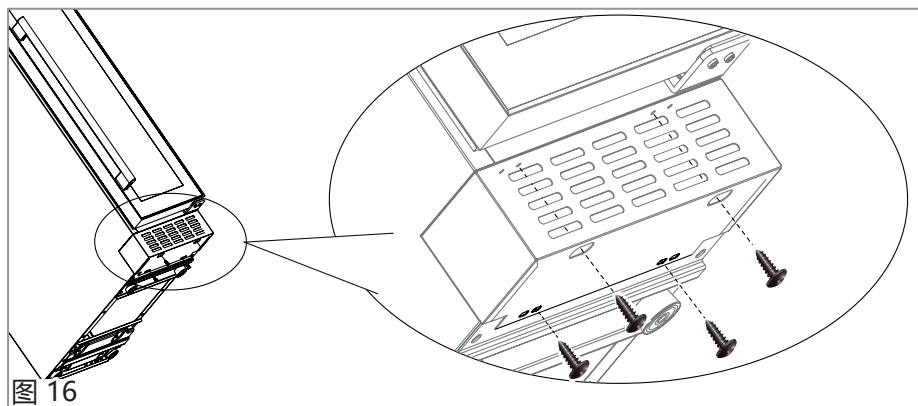
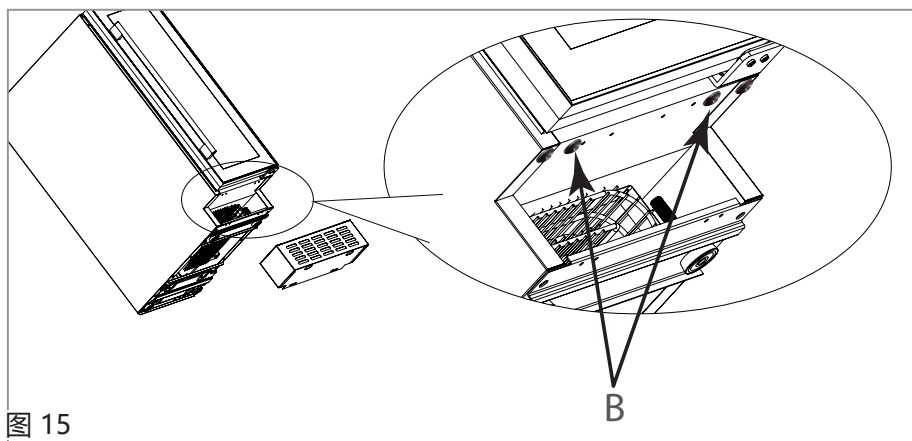
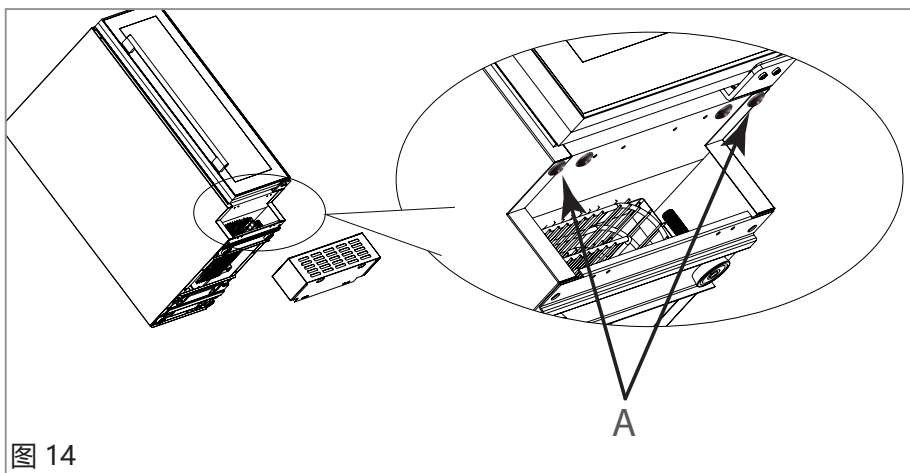
7. 将门引导到上门铰链轴上，并将门的下部和枢轴板操纵到门铰上。将枢轴孔对准门铰孔。
8. 重新插入在步骤 1 中卸下的两颗螺钉，然后拧紧它们。检查门是否与设备齐平。如果没有，则枢轴板会进行一些调整-松开刚拧紧的螺钉，并根据需要调整门。



安装底座

本产品的可拆百页/格栅包装在内部，可以在以下情况下安装想要的。请按照以下步骤操作：

1. 找到可拆百页（包装在设备内部）
2. 卸下底座部分（每侧两个）上的四颗螺钉，但请小心支撑两个部分，以防止可调节部分掉落。拆下可调节的前部并将其放在安全的地方。
3. 在另一个人的帮助下，确保酒柜牢固并向后倾斜以完全进入门下方区域。确保在此过程中始终保持门关闭，以免损坏门和设备。
4. 如果存在，请卸下箭头所示并在图 14 中标记为“A”的两个螺钉。
然后，找到四颗黑色的固定螺钉。这些与门翻转门铰包装在产品内部。
5. 如果存在，请卸下箭头所示并在图 15 中标记为“B”的螺钉。
6. 固定好可拆百页，确保其与图 16 相同。然后，使用（磁性尖头）螺丝刀，将两个黑色的固定螺丝穿过椭圆形的接入孔（如图 16 所示），并拧紧它们。
7. 在两个下部孔中的每一个中安装一个（黑色接头）螺钉（如图 16 所示）。这将有助于将可拆百页固定在酒柜的底部。



8. 调整酒柜箱脚，使酒柜达到您所需的高度。如有必要，用步骤2中拆下的四个螺钉重新连接可调百页挡板部分。稳稳地将酒柜竖起-如果可延伸部分会弄脏地板或类似物，请将其拆下。让酒柜静置24小时，然后将其插入橱柜。这将有助于防止损坏系统。

调节可调百页挡板

该产品的百页/格栅带有可调节的部分。调整可拆百页挡板的过程很简单，可以通过以下步骤实现。当产品全部四脚站立并且不承重于可拆百页的情况下，请执行以下步骤。

1. 松开可拆百页挡板两侧的两个螺钉（总共四个-图 17）。
2. 小心地向下引导前饰板，直到达到所需的高度。拧紧螺丝。

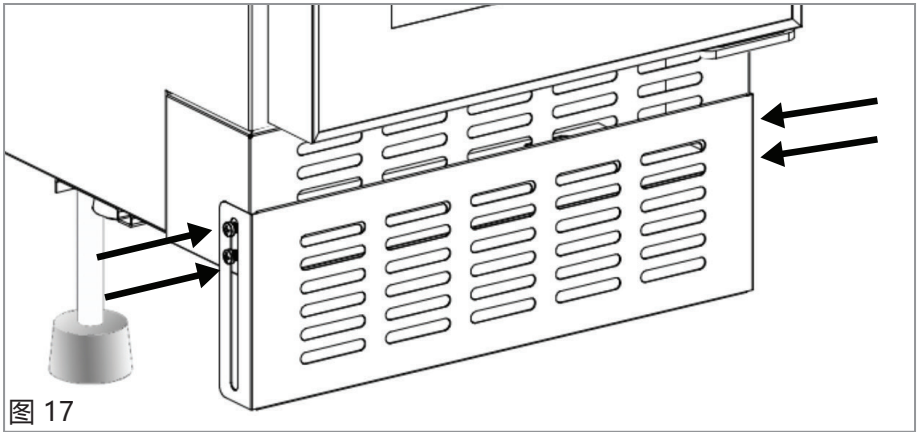


图 17

产品中有害物质的名称及含量

NAME AND CONTENT OF HAZARDOUS SUBSTANCES IN PRODUCTS

部件名称 Component name	有害物质 Hazardous substance					
	铅 Lead (Pb)	汞 Mercury (Hg)	镉 Cadmium (Cd)	六价铬 Hexavalent Chromium (Cr (VI))	多溴联苯 Polybrominated biphenyls (PBB)	多溴二苯醚 Polybrominated diphenyl ethers (PBDE)
外壳件 Enclosure material	o	o	o	o	o	o
印刷电路板 Printed circuit board assembly	x	o	o	o	o	o
保温材料 Thermal insulation material	o	o	o	o	o	o
电机 Motor	o	o	o	o	o	o
控制器及电器元器件 Electric controller and parts	x	o	x	o	o	o
电源线及连接器 Plug, cable and connector	x	o	o	o	o	o
包装印刷组件 Package and printing material	o	o	o	o	o	o

本表格依据SJ/T 11364的规定编制

o 表示该有害物质在该部件所有均质材料中的含量均在GB/T 26572 规定的限量要求以下。

x 表示该有害物质至少在该部件的某一均质材料中的含量超出GB/T 26572规定的限量要求。

This table is prepared in accordance with the provisions of SJ/T 11364.

o Indicates that said hazardous substance contained in all of the homogeneous materials for this part is below the limit requirement of GB/T 26572.

x Indicates that said hazardous substance contained in at least one of the homogeneous materials used for this part is above the limit requirement of GB/T 26572.

戈兰尼电器 (上海) 有限公司

Gorenje Asia (Shanghai) Limited Company

地址/Address : 上海市天山西路1068号联强国际广场A栋2楼B座

Unit B/2F Building A, Synnex International Park, No. 1068 West Tianshan Road,
Changning District, Shanghai

服务电话/Service number : 400 8008 899

服务邮箱/Service mailbox : service.cn@gorenje.com

公司网址/Website : www.gorenjechina.com

gorenje



UEFA
EURO2020

OFFICIAL PARTNER OF UEFA EURO 2020™

我们保留不影响设备功能的更改的权利。